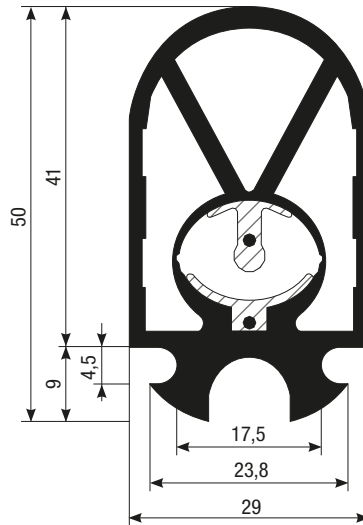
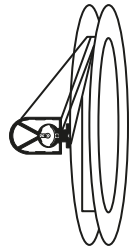


# SENSITIVE EDGE TYPE "B1NC"



Roll of 25 m



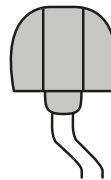
## "DO-IT-YOURSELF" VERSION

Please order the single components according to the following pattern:

- 1 Pack of profile type **B1NC profile** (standard roll of 25 m)
- 1 **Connector with electric cable type KCC**
- 1 **Needle connector type KCR** (with resistance)
- 1 **Kit** containing 2 off closing end cap type **TC1**
- 1 **Primer** bottle (10ml) code PR
- 1 **Sealant** bottle (10ml) code CY

## CONNECTORS

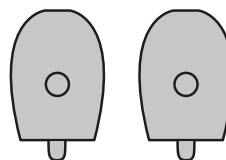
**KCC** | Connector with cable | Cable length 3 m



**KCR** | Connector with resistance 8,2 k $\Omega$



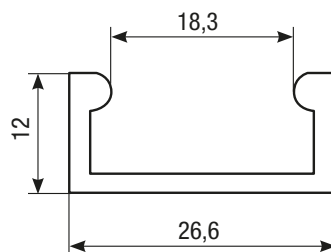
**TC1** | Closing end caps | Pack of 2 pcs.



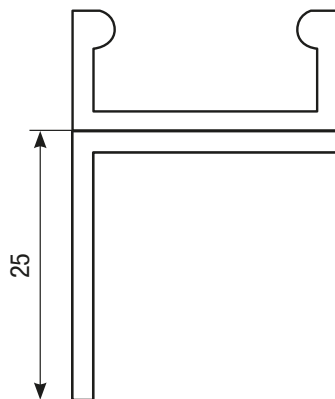
## ALUMINIUM SUPPORT FOR EDGE FASTENING

The edge fastening is carried out by installing the edge on a suitable aluminium support. Three types of supports are available.

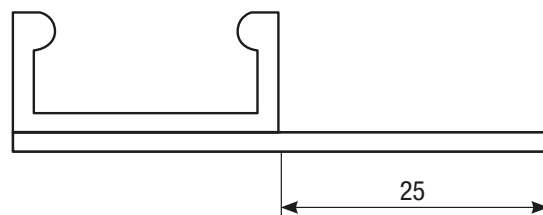
Type "SAC29" | "C"-shaped profile | for edges type B1NC



Type "SAL29" | "L"-shaped profile | for edges type B1NC

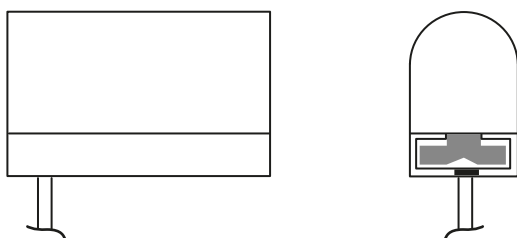


Tipo "SAI29" | "I"-shaped profile | for edges type B1NC

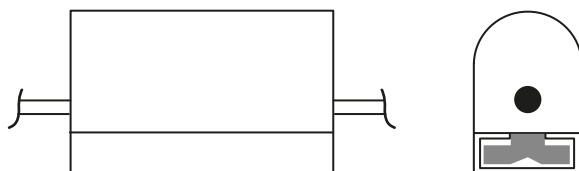


## SUPPLY CABLE OUTLET

"UI" | Bottom part outlet

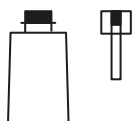


"CCCC" | Double outlet of cable



## SEALANTS FOR "DO-IT-YOURSELF" EDGES

"GSBPR" | Primer bottle 10 ml type PR

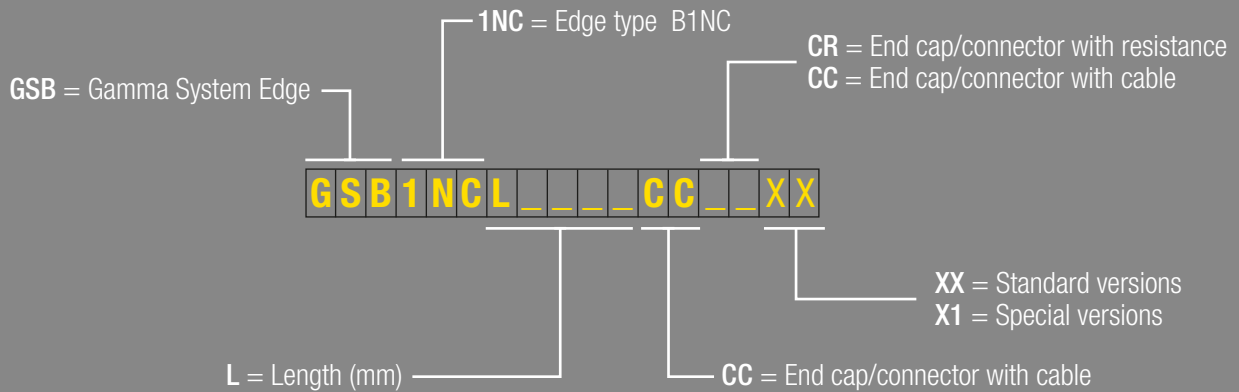


"GSBCY" | Sealant bottle 10 ml type CY



## HOW TO ORDER AN EDGE TYPE "B1NC" (ASSEMBLED)

### Code



#### X: Standard Version with:

- End cap/connector with cable (2x0.35 mm<sup>2</sup>, 3 m in length, FROR 300/500)
- End cap/connector with resistance
- Aluminium support type SAC29

#### 1: Special Version, e.g.:

- Cable length other than the standard one (standard 3 m). Please indicate the cable length, e.g. 10 = **C10**.
- Aluminium support Type SAL29 or SAI29

*Example 1:* edge type "B1NC" 1000 mm in length, with end cap/connector with standard cable 3 m in length and end cap/connector with resistance, aluminium profile type SAC29

**GSB1NCL1000CCCRXX**

*Example 2:* edge "B1NC" 1000 mm in length with end cap/connector with standard cable, 3 m in length and end cap/connector with resistance, aluminium profile type SAL29

**GSB1NCL1000CCCRX1**

*Example 3:* edge "B1NC" 1000 mm in length with end cap/connector with standard cable and end cap/connector with resistance, aluminium profile type SAI29

**GSB1NCL1000CCCRX2**

*Example 4:* edge "B1NC" 1000 mm in length with double standard cable outlet, 3 m in length, aluminium profile type SAC29

**GSB1NCL1000CCCCXX**

*Example 5:* edge "B1NC" 1300 mm in length with double standard cable outlet, 3 m in length, aluminium profile SAL29

**GSB1NCL1300CCCCX1**